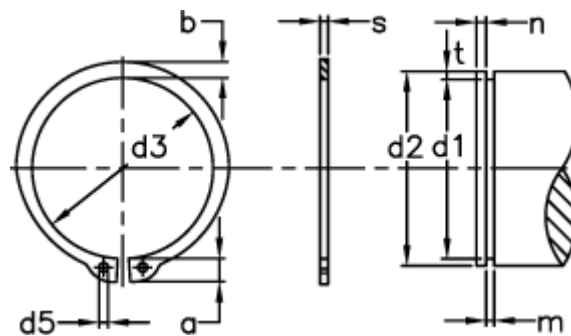


# Data Sheet



Article number: 0109082  
 Description: Retaining ring AS 70x4.0  
 Spring steel  
 Note: Fitted with ZGA pliers

## Measures



a max	= 9.5	Description	= AS 70	s	= 4.00
AN mm <sup>2</sup>	= 323.0	FN kN	= 53.80	t	= 1.50
B	= 2.56	FRg kN	= 59.0	tol	= -0.30
b	= 6.6	FR kN	= 343.0	tol	= -0.10
d1	= 67.0	g	= 2.5	tol	= +0,46 -1,10
d2	= 70	m min	= 4.15	Tong	= ZGA-3
d3	= 65.5	n abl x 1000	= 7	Weight kg/1000	= 32.20
d5 min	= 3.0	Nominal drive	= 4.5		